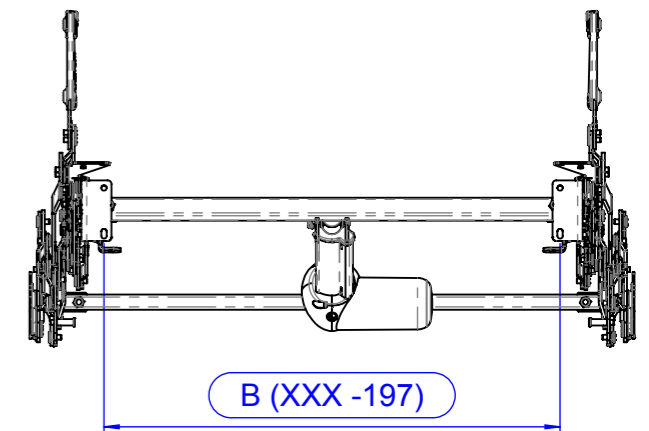
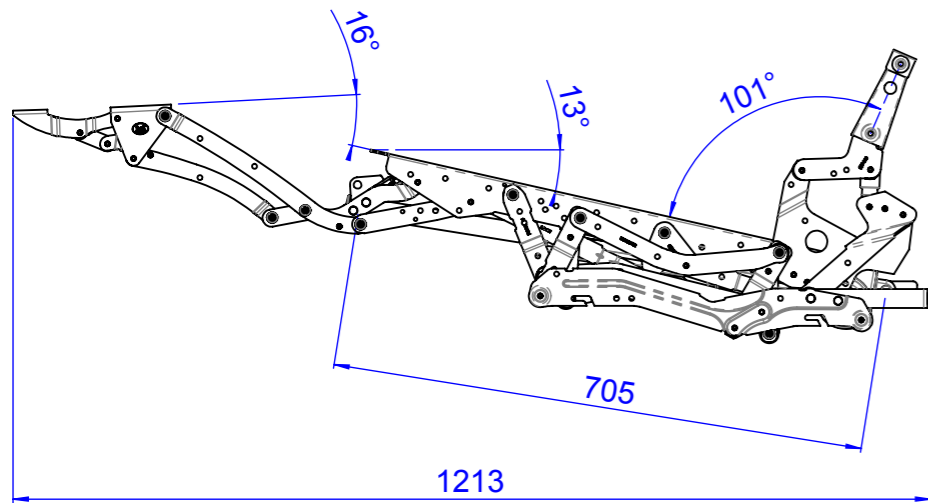


CLOSED



Global View

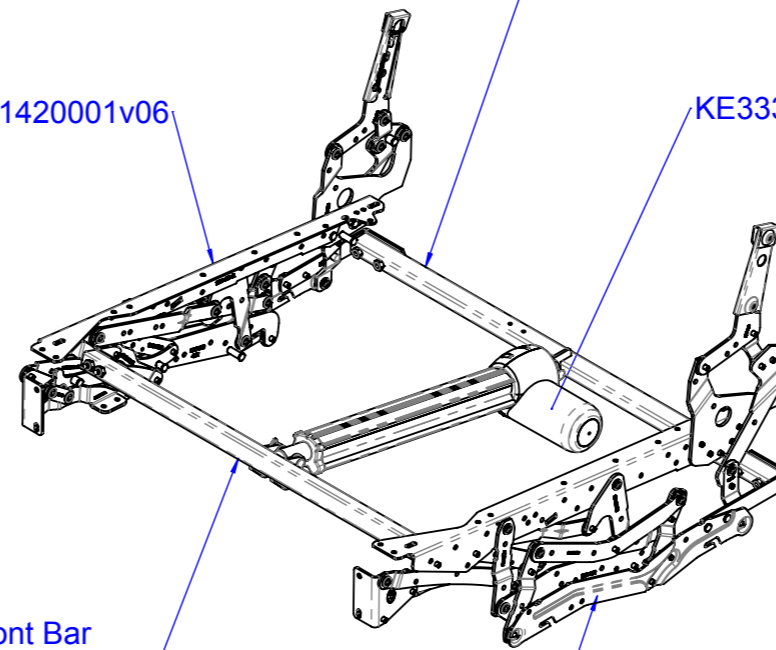


TV

ME606611420001v06

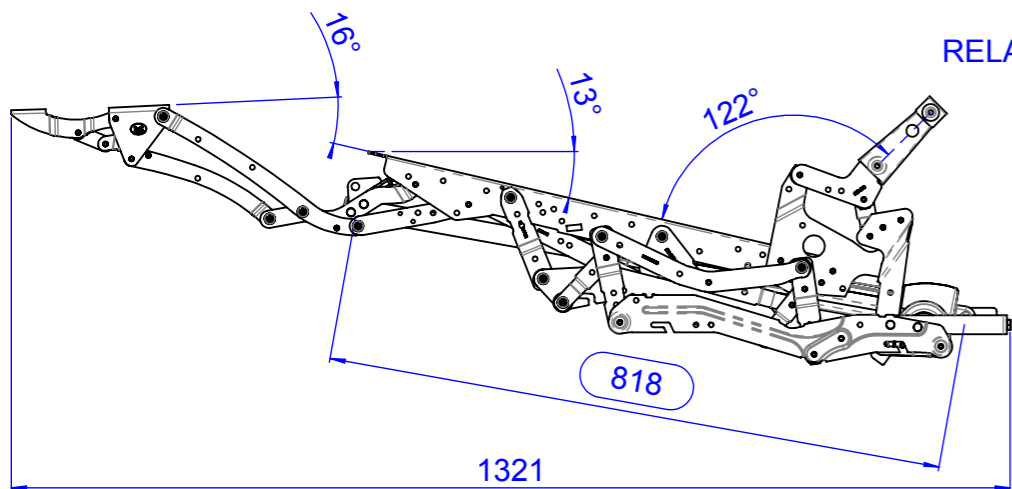
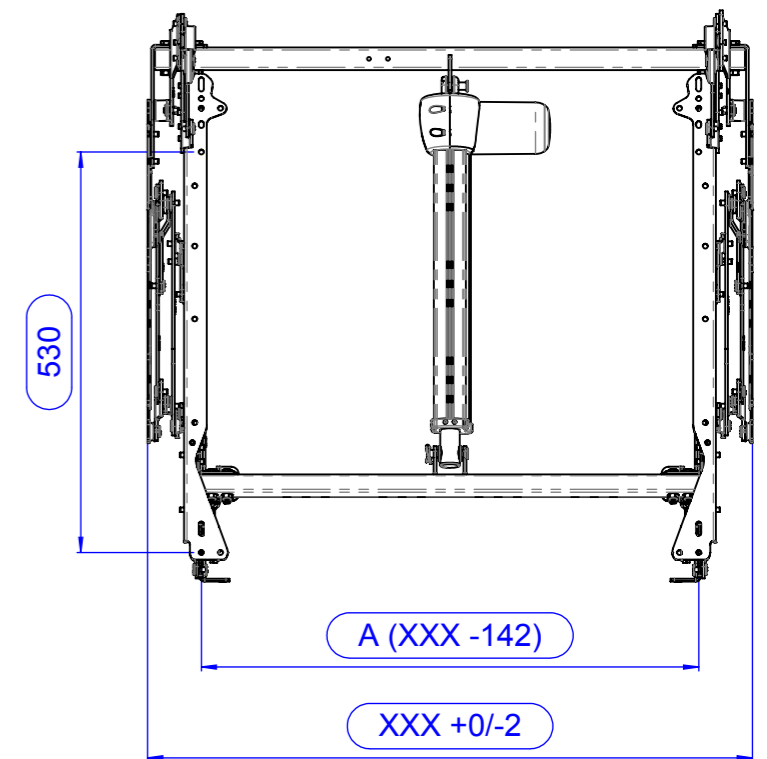
Rear bar  
ME3431717...

KE333MOAC3073



Front Bar  
ME2421716...

ME606611410001v06



RELAX

General tolerances:  $\pm 2\text{mm}$

In case of unlisted width, please refer to reported formulas to obtain the related quotes.  
In caso di vuoti non indicati in tabella fare riferimento alle formule riportate per ricavare le relative quote.


**Motion s.r.l.**

Motion s.r.l. Via Navicella 26  
47100 Pieve Acquedotto - Forlì (FC)  
Tel. 0543/782668-780046-774768  
Fax 0543/783082-798409 -  
info@motionitalia.com

Code: MO-RE-MO-1050-V06		Finish: ---	
Description: SPAZIO Double Zero electric mechanism size 800			
Material: ---		Format: A3	Sheet N°: 1 of 1
Weight: --- gr.	Author sergio	Rev. ---	Rev.Date ---
This drawing is property of Motion srl, and it cannot be used/shared/spread without the approval of Motion srl.		Draw.N°: <b>MO-RE-MO-1050-V06</b>	
This drawing has been made with a CAD system; any manual modification is forbidden			